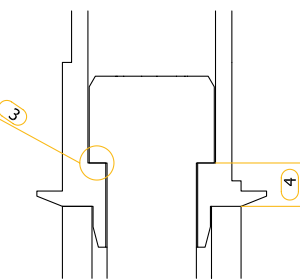
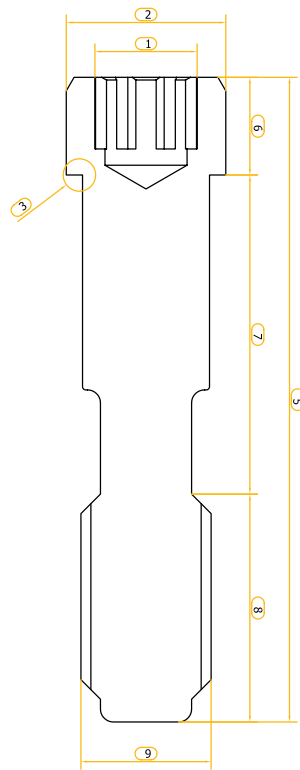
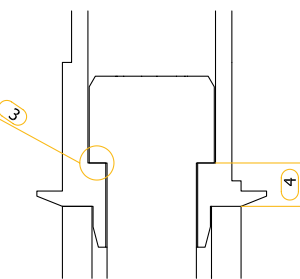
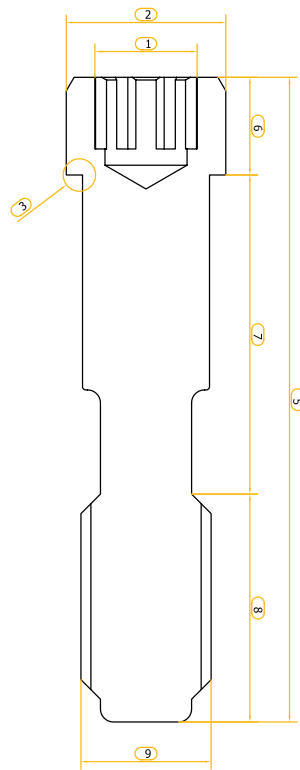


DESS

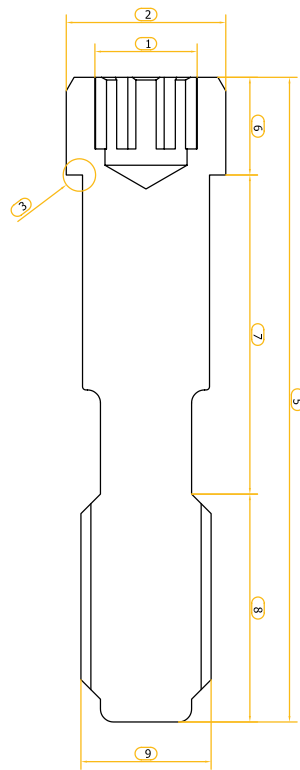
SCREW SELECTION GUIDE



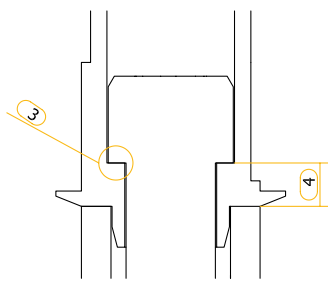
DESS REFERENCE	EQUIVALENT REF. N° OF ORIGINAL IMPLANT BRAND	PACK OF 10 AVAILABLE	PLATFORM		1. SCREW SOCKET	2. HEAD DIAMETER	3. HEAD BASE ANGLE	4. DISTANCE BETWEEN SCREW HEAD AND IMPLANT PLATFORM	5. OVERALL LENGTH	6. HEAD LENGTH	7. DISTANCE FROM THREAD TO HEAD	8. THREAD LENGTH	9. THREAD KIND	RECOM-MENDED TORQUE	COMMENTS
Screws fitting Nobel Brånemark® implants and similar external hex implant systems															
19.027	31168	Pack 10 available	NP		UG	2,23	72°		7,35	2,20	2,40	2,75	M1,6	35Ncm	Standard screw
19.227	292482		NP		UG	2,23	72°		7,35	2,20	2,40	2,75	M1,6	35Ncm	19.027 DLC coated version
19.327			NP		Torx O6	2,30	0°		6,95	1,50	2,70	2,75	M 1,6	35Ncm	Special screw head design Torx for angulated screw channels up to 25°
19.101		Pack 10 available	NP		UG	2,23	0°	1,80	7,35	1,90	2,70	2,75	M1,6	35Ncm	Flat seat screw. Better for bridges, structures and zirconia abutments.
19.028	29290	Pack 10 available	RP		UG	2,53	0°	1,80	7,35	2,14	2,40	2,81	M2,0	35Ncm	Standard screw. Can be used for single crowns or bridges, structures and zirconia abutments.
19.228	29283		RP		UG	2,53	0°	1,80	7,35	2,14	2,40	2,81	M2,0	35Ncm	19.028 DLC coated version
19.328			RP		Torx O6	2,60	0°		7,60	1,50	2,10	4,00	M2,0	35Ncm	Special screw head design Torx for angulated screw channels up to 25°
19.029	31169	Pack 10 available	WP		UG	3,40	0°	2,00	7,10	1,40	2,70	3,00	M2,5	35Ncm	Standard screw. Can be used for single crowns or bridges, structures and zirconia abutments
19.229	29284		WP		UG	3,40	0°	2,00	7,10	1,40	2,70	3,00	M2,5	35Ncm	19.029 DLC coated version
19.329			WP		Torx O6	3,40	0°		7,20	1,50	2,70	3,00	M2,5	35Ncm	Special screw head design Torx for angulated screw channels up to 25°



DESS REFERENCE	EQUIVALENT REF. N° OF ORIGINAL IMPLANT BRAND	PACK OF 10 AVAILABLE	PLATFORM	1. SCREW SOCKET	2. HEAD DIAMETER	3. HEAD BASE ANGLE	4. DISTANCE BETWEEN SCREW HEAD AND IMPLANT PLATFORM	5. OVERALL LENGTH	6. HEAD LENGTH	7. DISTANCE FROM THREAD TO HEAD	8. THREAD LENGTH	9. THREAD KIND	RECOM-MENDED TORQUE	COMMENTS
Screws fitting Nobel Replace® implants and similar tri-lobe implant systems														
19.004	31170	Pack 10 available	NP	UG	2,45	0°	0,80	8,30	1,70	4,00	2,60	M1,8	35Ncm	Standard screw. Can be used for single crowns or bridges, structures and zirconia abutments
19.204	36818		NP	UG	2,45	0°	0,80	8,30	1,70	4,00	2,60	M1,8	35Ncm	19.004 DLC coated version
19.304			NP	Torx 06	2,50	0°		8,10	1,50	4,00	2,60	M1,8	35Ncm	Special screw head design Torx for angulated screw channels up to 25°
19.005	29293	Pack 10 available	RP/WP	UG	2,45	0°	0,80	9,90	1,50	4,90	3,50	M2,0	35Ncm	Standard screw. Can be used for single crowns or bridges, structures and zirconia abutments
19.205	29475		RP/WP	UG	2,45	0°	0,80	9,90	1,50	4,90	3,50	M2,0	35Ncm	19.005 DLC coated version
19.305			RP/WP	Torx 06	2,60	0°		9,90	1,50	4,90	3,50	M2,0	35Ncm	Special screw head design Torx for angulated screw channels up to 25°
Screws fitting Multi-unit® implant systems														
19.006	29287	Pack 10 available	RP (4,8)	UG	2,00	0°	2,80	3,45	1,35	0,00	2,10	M1,4	15Ncm	Standard screw. Can be used for bridges, structures and Zirconia abutments
19.106	LPCTSH	Pack 10 available	RP (4,8)	H1,20	2,25	0°	3,80	4,48	1,75	0,53	2,20	M1,4	10Ncm	Special screw for abutments on 3i® Low Profile Abutment. Can be used for bridges, structures or zirconia abutments
19.206	29285		RP (4,8)	UG	2,00	0°	2,80	3,45	1,35	0,00	2,10	M1,4	15Ncm	19.006 DLC coated version
19.306			NP (3,5) / RP (4,8)	Torx 06	2,00	0°		3,60	1,50	0,00	2,00	M1,4	15Ncm	Special screw head design Torx for angulated screw channels up to 25°
19.110	SCTS			H1,27	2,00	0°	2,80	3,45	1,35	0,00	2,10	M1,4	15Ncm	
19.031	31163	Pack 10 available	WP (6,0)	UG	2,50	0°	ask	4,35	1,65	0,00	2,70	M1,8	15Ncm	Standard screw. Can be used for bridges, structures and Zirconia abutments
19.231	29286		WP (6,0)	UG	2,50	0°	ask	4,35	1,65	0,00	2,70	M1,8	15Ncm	19.031 DLC coated version
19.300			RP (4,8)	Torx 06	2,15	0°		3,95	1,50	0,50	1,95	UNF-1-72	15Ncm	Special screw head design Torx for angulated screw channels up to 25°, only for MIS®
19.331			WP (6,0)	Torx 06	2,50	0°		4,20	1,50	0,00	2,70	M1,8	15Ncm	Special screw head design Torx for angulated screw channels up to 25°



DESS REFERENCE	EQUIVALENT REF. N° OF ORIGINAL IMPLANT BRAND	PACK OF 10 AVAILABLE	PLATFORM		1. SCREW SOCKET	2. HEAD DIAMETER	3. HEAD BASE ANGLE	4. DISTANCE BETWEEN SCREW HEAD AND IMPLANT PLATFORM	5. OVERALL LENGTH	6. HEAD LENGTH	7. DISTANCE FROM THREAD TO HEAD	8. THREAD LENGTH	9. THREAD KIND	RECOM-MENDED TORQUE	COMMENTS
Screws fitting Nobel Active® implants and similar implant systems															
19.027	31168	Pack 10 available	NP		UG	2,23	72°		7,35	2,20	2,40	2,75	M1,6	35Ncm	Standard screw
19.227	29282		NP		UG	2,23	72°		7,35	2,20	2,40	2,75	M1,6	35Ncm	19.027 DLC coated version
19.101		Pack 10 available	NP		UG	2,23	0°	0,50	7,35	1,90	2,70	2,75	M1,6	35Ncm	Flat seat screw. Better for bridges, structures and zirconia abutments
19.327			NP		Torx O6	2,30	0°		6,95	1,50	2,70	2,75	M 1,6	35Ncm	Special screw head design Torx for angulated screw channels up to 25°
19.030	28815	Pack 10 available	RP		UG	2,53	54°		7,35	2,30	2,24	2,81	M2,0	35Ncm	Standard screw
19.230	36918		RP		UG	2,53	54°		7,35	2,30	2,24	2,81	M2,0	35Ncm	19.030 DLC coated version
19.328			RP		Torx O6	2,60	0°		7,60	1,50	2,10	4,00	M2,0	35Ncm	Special screw head design Torx for angulated screw channels up to 25°



Screws fitting Straumann SynOcta® and similar octagon implant systems															
ON IMPLANT															
19.026	048.356	Pack 10 available	RN		Torx O6	2,58	75°		6,70	3,02	1,68	2,00	M2,0	35Ncm	Use with Straumann® abutments and DESS Gold UCLA's
19.102	049.181	Pack 10 available	RN		Torx O6	2,40	0°	1,30	7,50	2,52	2,28	2,70	M2,0	35Ncm	Flat seat screw. Better for bridges, structures and zirconia abutments
19.328			RN/WN		Torx O6	2,60	0°		7,60	1,50	2,10	4,00	M2,0	35Ncm	Special screw head design Torx for angulated screw channels up to 25°
ON ABUTMENT															
19.009	048.350	Pack 10 available	RN		Torx O6	2,50	45°		4,50	2,20	0,00	3,30	M2,0	15Ncm	Standard screw
19.103		Pack 10 available	RN		Torx O6	2,50	0°	3,25	5,10	1,55	0,00	3,55	M2,0	15Ncm	Flat seat screw. Better for bridges, structures and zirconia abutments

DESS REFERENCE	EQUIVALENT REF. N° OF ORIGINAL IMPLANT BRAND	PACK OF 10 AVAILABLE	PLATFORM	1. SCREW SOCKET	2. HEAD DIAMETER	3. HEAD BASE ANGLE	4. DISTANCE BETWEEN SCREW HEAD AND IMPLANT PLATFORM	5. OVERALL LENGTH	6. HEAD LENGTH	7. DISTANCE FROM THREAD TO HEAD	8. THREAD LENGTH	9. THREAD KIND	RECOM-MENDED TORQUE	COMMENTS
----------------	--	----------------------	----------	-----------------	------------------	--------------------	---	-------------------	----------------	---------------------------------	------------------	----------------	---------------------	----------

Screws fitting Straumann Bone Level® implants and similar implant systems

ON IMPLANT

19.032	025.2908	Pack 10 available	NC		2,10	75°		7,85	2,50	3,35	2,00	M1,6	35Ncm	Standard screw
19.033	025.4908	Pack 10 available	RC		2,20	75°		7,85	2,50	3,35	2,00	M1,6	35Ncm	Standard screw
19.037	025.4900	Pack 10 available	NC/RC		2,10	75°		7,85	2,50	3,35	2,00	M1,6	35Ncm	Fits non-engaging NC/RC and all castable DESS abutments
19.104	025.4506	Pack 10 available	NC/RC		2,10	0°	0,70	8,15	1,55	4,60	2,00	M1,6	35Ncm	Flat seat screw. Better for bridges, structures and zirconia abutments, ever without threaded hole.
19.311			NC/RC		2,30	0°		8,10	1,50	4,00	2,70	M1,6	20Ncm	Special screw head design Torx for angulated screw channels up to 25°

ON MULTI-BASE®

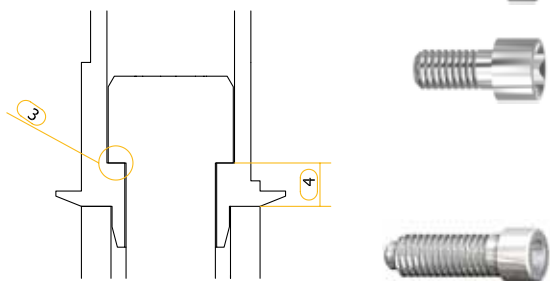
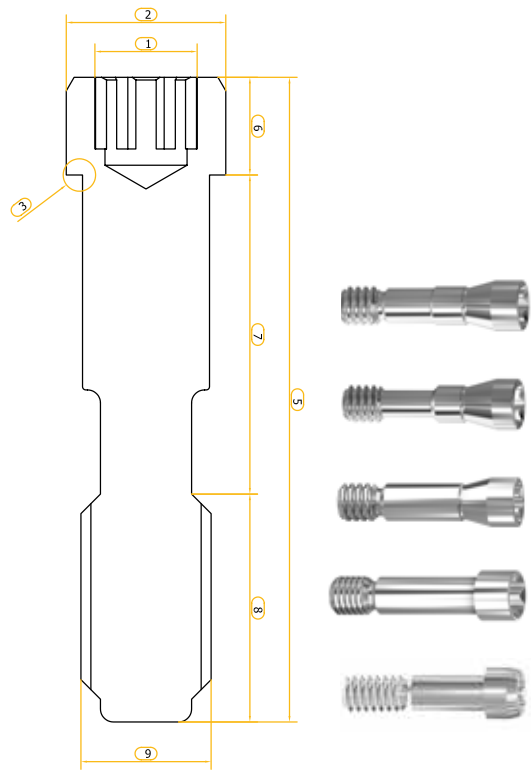
19.041	025.0900-04		NC/RC		2,20	45°		4,50	1,60	0,30	2,60	M1,4	15Ncm	Standard screw
19.105		Pack 10 available	NC/RC		2,20	0°	ask	4,50	1,50	0,00	3,00	M1,4	15Ncm	Flat seat screw. Better for bridges and structures

Screws fitting 3i® Osseotite® and similar external hex implant systems

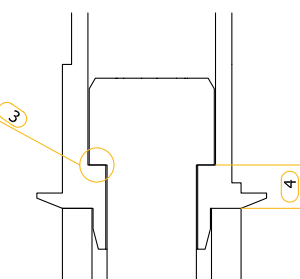
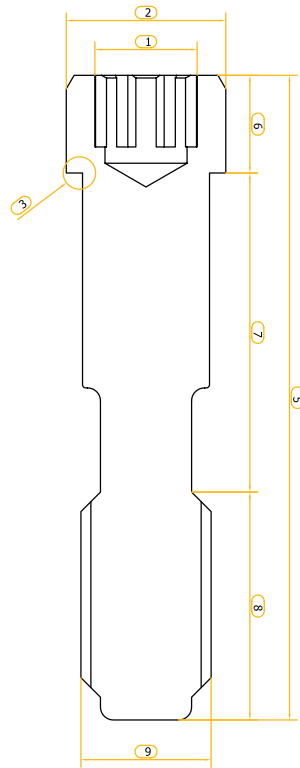
19.034	UNIHT	Pack 10 available	all		H1,20	2,55	0°	2,15	7,85	1,65	0,70	5,50	M2,0	20Ncm	Standard screw
--------	-------	-------------------	-----	--	-------	------	----	------	------	------	------	------	------	-------	----------------

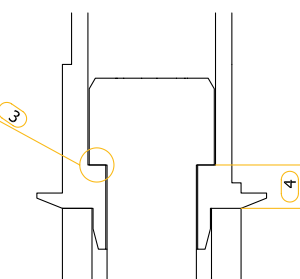
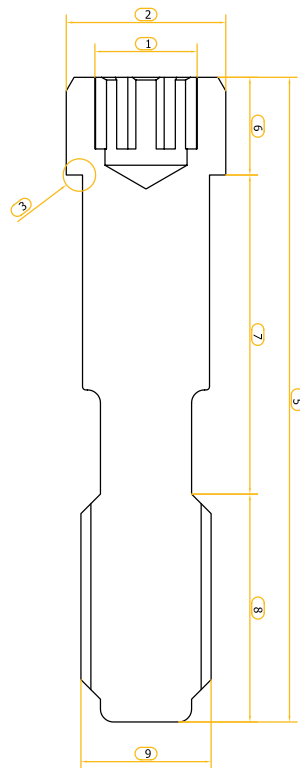
ON MULTI-UNIT®

19.106	LPCTSH	Pack 10 available	RP (4,8)		H1,20	2,25	0°	3,80	4,48	1,75	0,53	2,20	M1,4	10Ncm	Special screw for abutments on 3i® Low Profile Abutment. Can be used for bridges, structures or zirconia abutments
--------	--------	-------------------	----------	--	-------	------	----	------	------	------	------	------	------	-------	--



DESS REFERENCE	EQUIVALENT REF. N° OF ORIGINAL IMPLANT BRAND	PACK OF 10 AVAILABLE	PLATFORM	1. SCREW SOCKET	2. HEAD DIAMETER	3. HEAD BASE ANGLE	4. DISTANCE BETWEEN SCREW HEAD AND IMPLANT PLATFORM	5. OVERALL LENGTH	6. HEAD LENGTH	7. DISTANCE FROM THREAD TO HEAD	8. THREAD LENGTH	9. THREAD KIND	RECOM-MENDED TORQUE	COMMENTS	
Screws fitting 3i® Certain® implants and similar internal hex implant systems															
19.011	IUNIHT	Pack 10 available	all		H1,20	2,00	0°	0,50	8,40	1,90	3,80	2,70	M1,6	20Ncm	Standard screw
19.311			all		Torx 06	2,30	0°		8,10	1,50	4,00	2,70	M1,6	20Ncm	Special screw head design Torx for angulated screw channels up to 25°
ON MULTI-UNIT®															
19.106	LPCTSH	Pack 10 available	RP (4,8)		H1,20	2,25	0°	3,80	4,48	1,75	0,53	2,20	M1,4	10Ncm	Special screw for abutments on 3i® Low Profile Abutment. Can be used for bridges, structures or zirconia abutments
Screws fitting Zimmer®, MIS®, AlphaBio® implants and similar internal hex implant systems															
19.012	URS2	Pack 10 available	all		H1,27	2,30	19°		8,20	2,55	3,05	2,60	UNF-1-72	30Ncm	Use with DESS abutments
19.012L			all		H1,27	2,30	19°		8,95	2,55	3,80	2,60	UNF-1-72	30Ncm	Use with DESS abutments. Long version
19.042	MHLAS (Zimmer®)	Pack 10 available	all		H1,27	1,95	19°		8,20	2,49	2,95	2,76	UNF1-72	30Ncm	Narrow head fits Zimmer® original abutments
19.312			all		Torx 06	2,40	0°		7,10	1,50	1,30	3,50	UNF-1-72	30Ncm	Special screw head design Torx for angulated screw channels up to 25°
19.327			NP (MIS)		Torx 06	2,30	0°		6,95	1,50	2,70	2,75	M 1,6	35Ncm	Special screw head design Torx for angulated screw channels up to 25°, only for MIS®
ON MULTI-UNIT®															
19.110	SCTS		RP (4,8)		H1,27	2,00	0°	2,80	3,45	1,35	0,00	2,10	M1,4	15Ncm	
19.300			RP (4,8)		Torx 06	2,15	0°		3,95	1,50	0,50	1,95	UNF-1-72	15Ncm	Special screw head design Torx for angulated screw channels up to 25°, only for MIS®
Screw fitting Ankylos® C/X implants and similar implant systems															
19.048					H1,00	2,35	60°		7,90	2,35	2,40	3,10	M1,8	15Ncm	Standard screw only for DESS Abutment
19.050					H1,00	2,35	60°		9,40	2,35	2,40	3,10	M1,8	15Ncm	Standard screw





DESS REFERENCE	EQUIVALENT REF. N° OF ORIGINAL IMPLANT BRAND	PACK OF 10 AVAILABLE	PLATFORM	1. SCREW SOCKET	2. HEAD DIAMETER	3. HEAD BASE ANGLE	4. DISTANCE BETWEEN SCREW HEAD AND IMPLANT PLATFORM	5. OVERALL LENGTH	6. HEAD LENGTH	7. DISTANCE FROM THREAD TO HEAD	8. THREAD LENGTH	9. THREAD KIND	RECOM-MENDED TORQUE	COMMENTS	
Screws fitting BioHorizons® implants and similar external hex implant systems															
19.013	130-300		NP		H1,27	2,40	0°	2,00	6,60	1,80	1,30	3,50	UNF-1-72	30Ncm	Standard screw. Good also for bridges, structures and zirconia abutments
19.312			NP		Torx 06	2,40	0°		7,10	1,50	1,30	3,50	UNF-1-72	30Ncm	Special screw head design Torx for angulated screw channels up to 25°
19.014			RP/WP		H1,27	2,65	0°	2,00	7,10	1,80	1,30	4,00	M2,0	30Ncm	Standard screw. Good also for bridges, structures and zirconia abutments
19.328			RP/WP		Torx 06	2,60	0°		7,60	1,50	2,10	4,00	M2,0	35Ncm	Special screw head design Torx for angulated screw channels up to 25°
Screws fitting Astra® implants and similar implant systems															
19.016	24449	Pack 10 available	Aqua (3,5-4,0)		H1,27	2,35	0°	1,40	8,25	2,00	3,25	3,00	M1,6	20Ncm	Standard screw. Good also for bridges, structures and zirconia abutments
19.017	24209	Pack 10 available	Lilac (4,5-5,0)		H1,27	2,35	0°	0,30	10,30	2,35	4,80	3,50	M2,0	25Ncm	Standard screw. Good also for bridges, structures and zirconia abutments
19.018	22435	Pack 10 available	Uni-abutment®		H1,27	2,30	0°	20° 2,65 45° 1,35	4,80	1,90	0,00	2,90	M1,4	15Ncm	Height over top depends on kind of UniAbutment®. See the two different numbers. Can be used for crowns, bridges, structures and zirconia abutments
Screws fitting Friadent Xive® implants and similar implant systems															
19.024	3245 4305	Pack 10 available	all 3,4 - 3,8 - 4,5		H1,22	2,10	45°		9,80	3,06	3,29	3,45	M1,6	25Ncm	Standard screw
Screws fitting Dyna® implants and similar implant systems															
19.038	31AS1		Univ. 3,6		H1,32	2,70	75°		6,90	2,125	1,00	3,80	M2,0	32Ncm	Standard screw
19.039	81AS0		Octa		H1,32	2,49	75°		8,37	2,28	2,15	3,95	M1,8	30Ncm	Standard screw
19.040	82ES0		Extension Lev. Octa		H1,32	2,49	75°		6,35	2,38	0,50	3,45	M1,8	30Ncm	Standard screw